



C7-SF6-80-100%vol

NDIR Dual Channel Sulfur hexafluoride purity detector

Product highlights

Reference I.R. Channel for long-term measurements

80-100% vol. concentration range

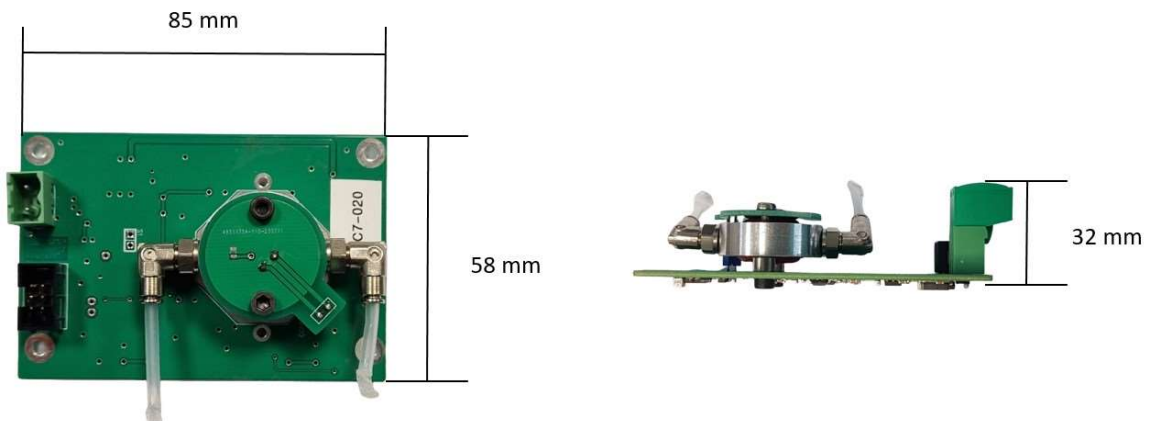
Easy to integrate in OEM systems

Application

Industrial Gas purity Control

HV isolation testing

Mechanical dimensions



Operative Data

Sensor type	Dual channel NDIR detector (C-series)
Detected gas	SF6 (Sulfur hexafluoride)
Measuring range	80 – 100% vol.
Operating temperature range	0 ÷ 55 °C (non-condensing)
Storage temperature range	-20 ÷ 85 °C
Operating humidity range	0 ÷ 90 % (non-condensing)
Gas supply	Flowing (nearly atmospheric pressure)
Flow rate	100 – 400 sccm
Warm-up time	< 60 s (start-up time) < 30 minutes (full specification)

Mechanical & Electrical Specifications

Dimension (L x W x H)	85 mm x 58 mm x 32 mm
Weight	54 g
Gas connector	Rapid fitting for 3mm o.d. tubing
Voltage supply	5V ± 10%
Current consumption	180mA (rms) – 250mA (peak)
Signal Output	0-3.3V
Communication Interface	UART (Baud-rate: 9600-115200) ¹

¹ ASCII Protocol described in the C-series user manual. Default baud-rate is 9600.

Measuring Specifications

Data rate	1/s
Response time T90 (0 – 90 %)	2 s
Resolution	0.1% Vol.
Repeatability	± 0.1% Vol.
Temperature drift	0.1% Vol./°C
Humidity drift	None
Long-term stability	Contact factory
Cross-sensitivity	Contact factory